

Project Sheet: Pinwheel Fun Fold

The pinwheel fun fold is the perfect design to give your cards that extra pop! With just a little bit of folding and creativity, you can turn a simple 6x6 piece of paper into something truly special.

Supplies:

[Basic White](#) :: 4-1/4" x 11"

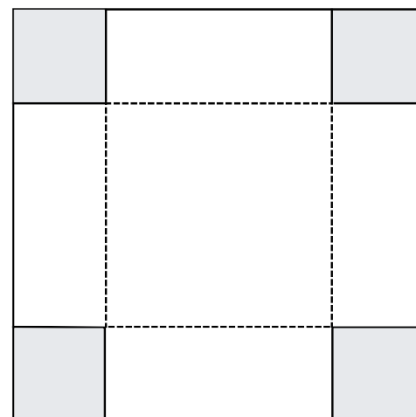
[Marbled Elegance DSP](#) :: 6" x 6"

[Real Red](#) :: 3-1/2" x 3-1/2"

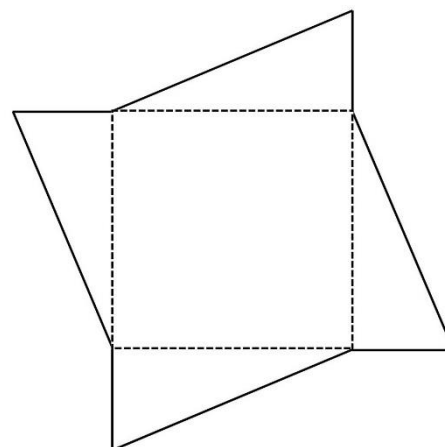


Instructions:

1. Score your 6x6 papers at 1-3/8" on all sides. Then cut the outside corners.



2. Cut the four flaps diagonally as shown.
3. Tuck in the flaps. Stamp or add an accent piece on the center.
4. Layer this on a 3-1/2" square piece of coordinating cardstock and adhere on the card front.



More Card Ideas & Inspirations:



Check out my video on YouTube to see these cards being made:

<https://www.youtube.com/watch?v=2ry9LjTccXI>

Join our community!



<https://www.facebook.com/Stampingonthebackporch/>



<https://www.instagram.com/stampingonthebackporch/>



<https://www.youtube.com/user/stampingonthebp>

[Click here to shop my online store!](#)

Karen Titus, Your Stampin' Up! Demonstrator

www.karentitus.com

612-929-1277

stampingonthebackporch@gmail.com